

Plans for the Construction of a 'Warre Roof' for the Langstroth hive

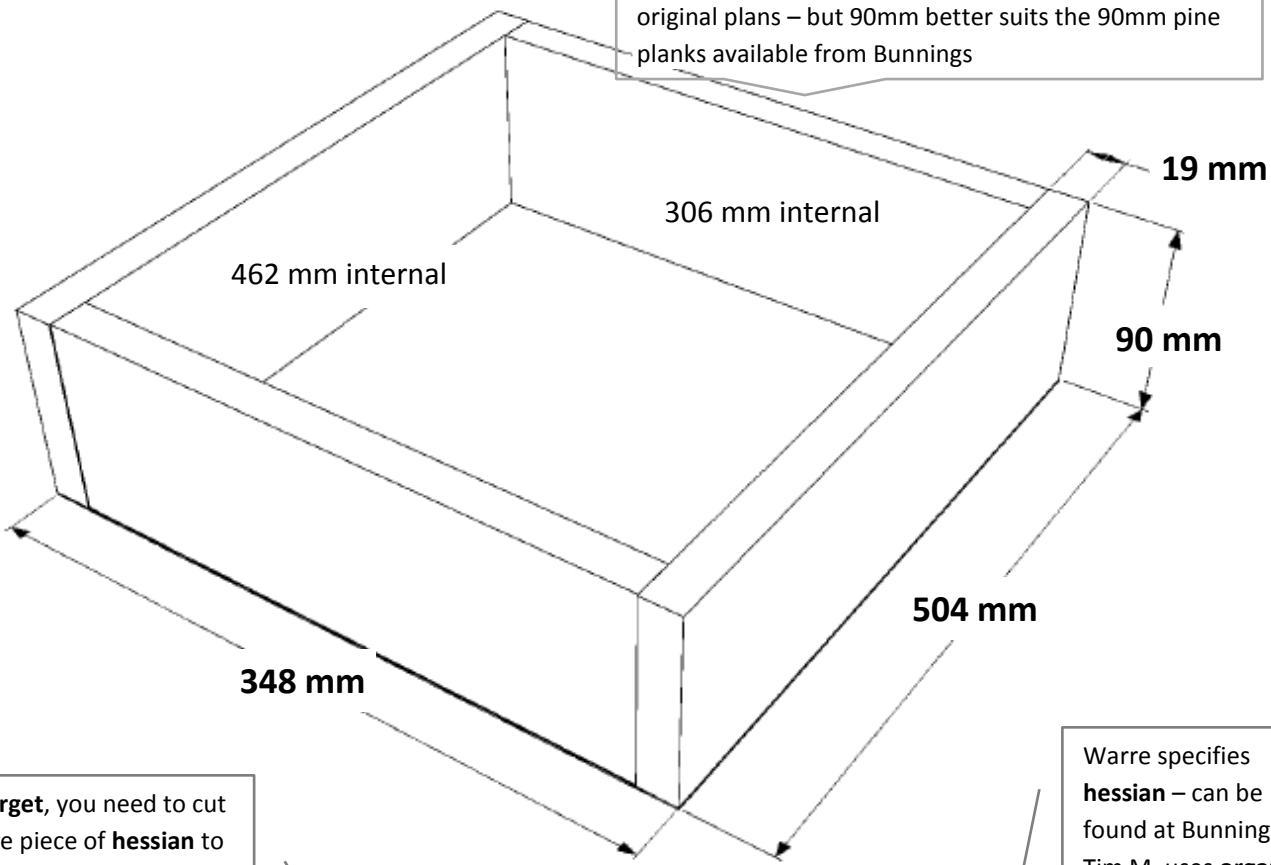
Ver 14 Aug 2012

Notes

- This document has been created by T Hodgson¹ to assist with the building of a Modified Warre roof for the Langstroth hive.
- All dimensions assume:
 - the use of 19mm thick wood boards.
 - the external dimensions of the hive box is 509 x 353 +/-1mm
 - Use of other thickness or box sizes will require recalculations;

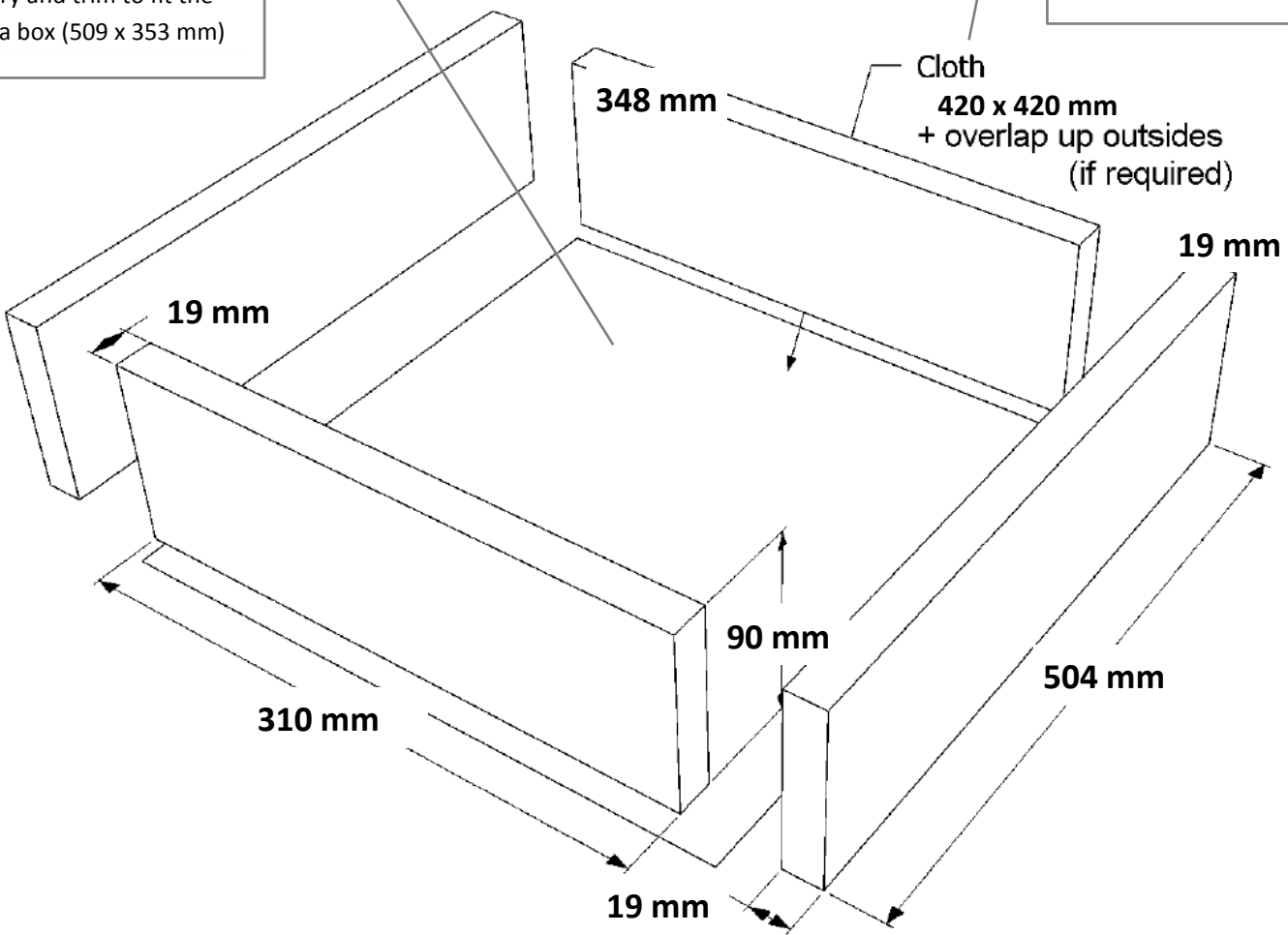
¹ <http://www.sustainablebeekeepers.com>

The quilt box should be 100mm according to the original plans – but 90mm better suits the 90mm pine planks available from Bunnings



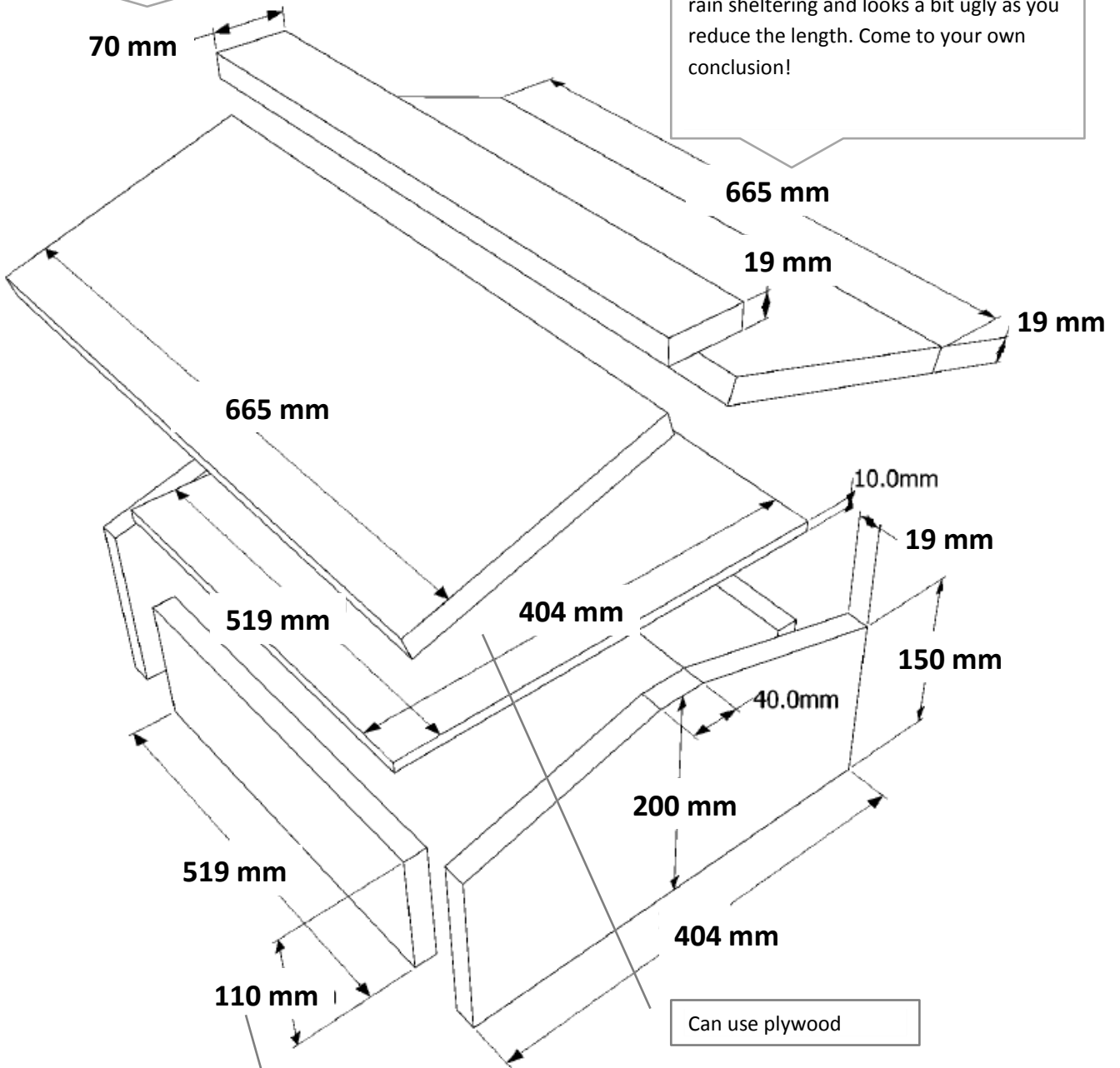
Don't forget, you need to cut one more piece of **hessian** to be used as the top bar cloth. Cut it 530 x 380 mm. Coat it with a flour/water mix and then allow to dry flat. Iron it once dry and trim to fit the top of a box (509 x 353 mm)

Warre specifies **hessian** – can be found at Bunnings. Tim M. uses **organic cotton** (less chemicals?) which can be found at Spotlight



This should be 60mm according to the original plans – but 70mm better suits the pine planks from Bunnings

Can go as low as 580mm but there is no rain sheltering and looks a bit ugly as you reduce the length. Come to your own conclusion!



This should be 120mm according to the original plans – but 110 mm better suits the modified 90mm high quilt box

